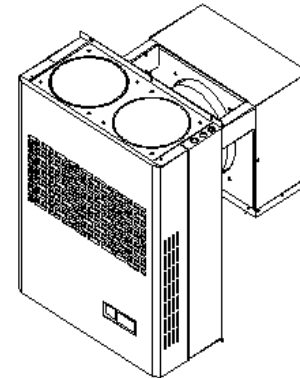
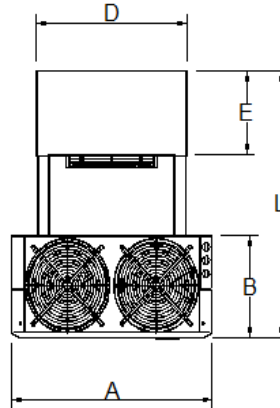
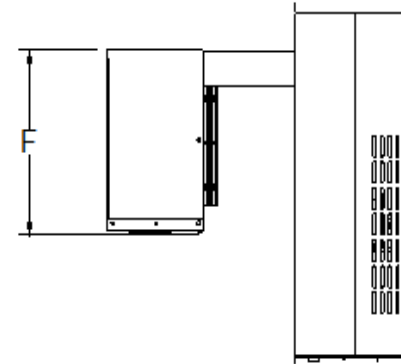
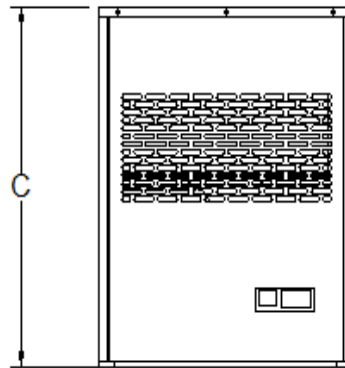




	<b>LY150DGL-1</b>
<b>Setpoint Temp Range °C</b>	-23°C to -5°C
<b>Compressor Power (HP)</b>	1.5
<b>Input Power (W)</b>	1250
<b>Rated Current (A)</b>	6.4
<b>Max. Load Current (A)</b>	11
<b>Voltage</b>	230~240V
<b>Condenser Air Volume (m³/h)</b>	950
<b>Condenser Fan Power (W)</b>	75
<b>Condenser Fan Diameter (mm)</b>	300
<b>Evaporator Air Volume (m³/h)</b>	600
<b>Evaporator Fan Power (W)</b>	50
<b>Evaporator Fan Diameter (mm)</b>	250
<b>Refrigerant</b>	R404A
<b>Noise @1m (dB)</b>	43
<b>Net Weight (kg)</b>	70
<b>Reference Cool Volume (m³)</b>	9



A	B	C	D	L
460	355	735	370	850